

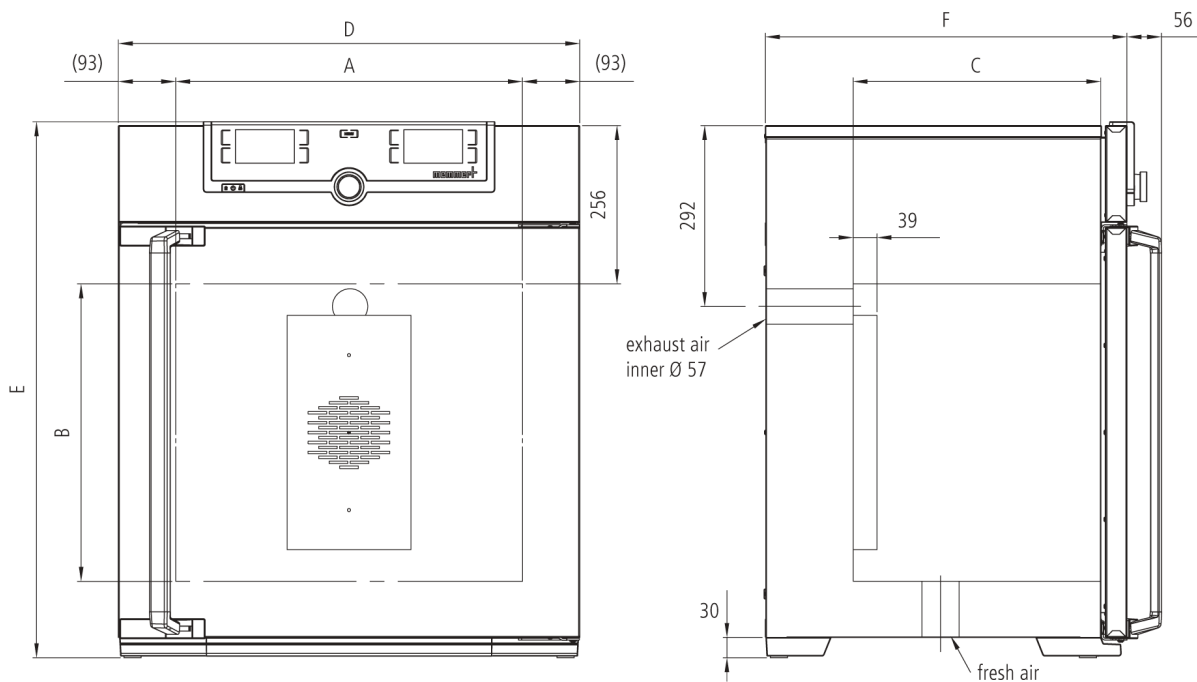


Steriliser SF55

Safer than disinfection, hot-air
sterilisation of containers and instruments



The indispensable safety feature for this hot air steriliser: Setpoint Wait. This means that the programme for sterilisation only starts when the set temperature has been reached. This feature can also be used with freely positionable Pt100 temperature sensors. Here the sterilisation time only begins when the set temperature has been reached at all measurement points, and reliable sterilisation is guaranteed at all times. On this page, you can find all the essential technical data on the Memmert hot air steriliser. Our customer relations team will be pleased to help if you want further information. If you should require a customised special solution, please contact our technical specialists at myAtmoSAFE@memmert.com.



Control of standard components

Control	COCKPIT	adaptive multifunctional digital PID-microprocessor controller with high-definition TFT-colour display
Temperature		1 Pt100 sensor DIN class A in 4-wire-circuit
Timer		Digital backwards counter with target time setting, adjustable from 1 minute to 99 days

Temperature

Set temperature range in °C		min.10°C above ambient up to +250°C
		resolution of display for setpoint values 0.1°C up to 99.9°C, 0.5°C from 100°C and for actual values 0.1°C (LED)

Control technology

adjustable parameters		temperature (Celsius or Fahrenheit), fan speed, air flap position, programme time, time zones, summertime/wintertime
Function Setpoint	WAIT	the process time does not start until the set temperature is reached
Language setting		German/English/Spanish/French
Calibration		three freely selectable temperature values

Ventilation

Fan		forced air circulation by quiet air turbine, adjustable in 10 % steps
Fresh air admixture		adjustment of pre-heated fresh air admixture by air flap control in 10 % steps
Vent		vent connection with restrictor flap

Communication

Programming		AtmoCONTROL software for reading out, managing and organising the data logger via Ethernet interface (temporary trial version can be downloaded). USB stick with AtmoCONTROL software available as accessory (on demand).
Documentation		programme stored in case of power failure

Safety

Temperature control		adjustable electronic overtemperature monitor and mechanical temperature limiter TB, protection class 1 according to DIN 12880 to switch off the heating approx. 20°C above nominal temperature
Autodiagnostic system		for fault analysis

Standard equipment

Door	fully insulated stainless steel door with 2-point locking (compression door lock)
Internals	1 stainless steel grid
Scope of delivery	incl. works calibration certificate for +160°C
Housing	rear zinc-plated steel
Interior	easy-to-clean interior, made of stainless steel, reinforced by deep drawn ribbing with integrated and protected large-area heating on four sides

Stainless steel interior

$w_{(A)} \times h_{(B)} \times d_{(C)}$: 400 x 400 x 330 mm
Volume 53 l
Max. loading of chamber: 80 kg

Textured stainless steel casing

$w_{(D)} \times h_{(E)} \times d_{(F)}$: 585 x 784 x 514 mm
--

Electrical data

115 V, 50/60 Hz / approx. 1700 W
230 V, 50/60 Hz / approx. 2000 W

Packing/shipping data

the appliances must be transported upright

Customs tariff number	8419 8998
Country of origin	Federal Republic of Germany
WEEE-Reg.-No.	DE 66812464
	Dimensions approx incl. carton B x H x T: 730 x 950 x 670 mm
	Net weight approx. 57 kg
	Gross weight carton approx. 76 kg

Standard units are safety-approved and bear the test marks

