

1

2

3

4

5

6

D

D

C

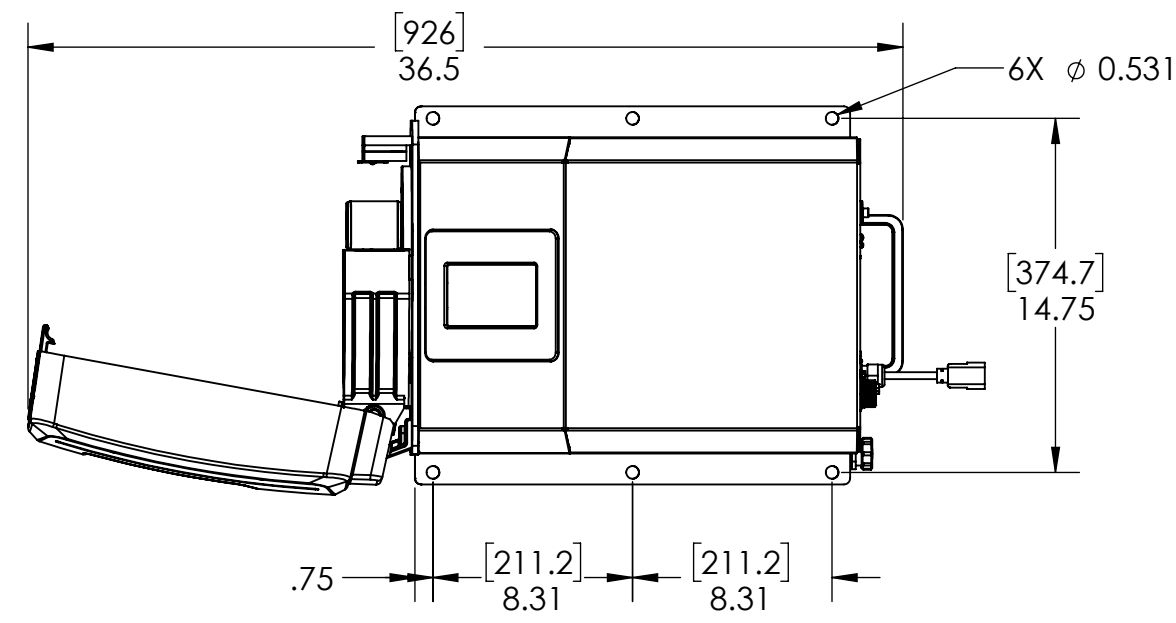
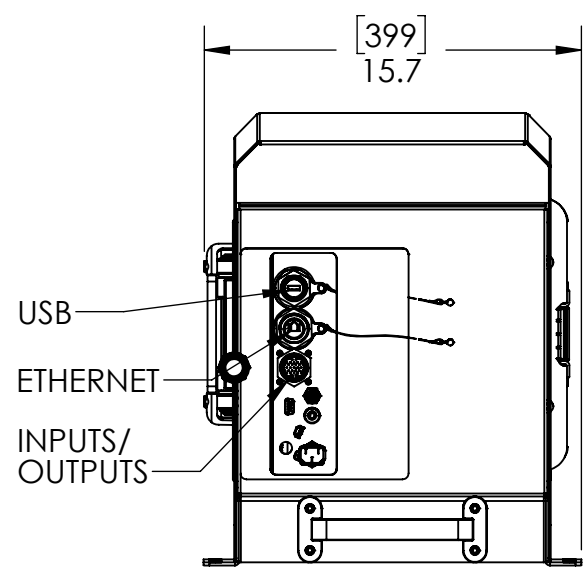
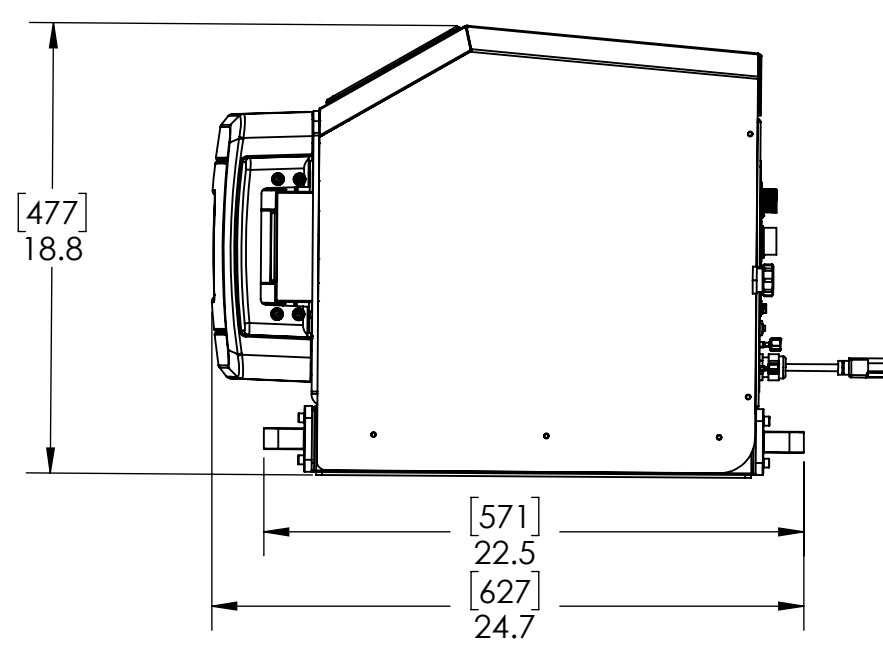
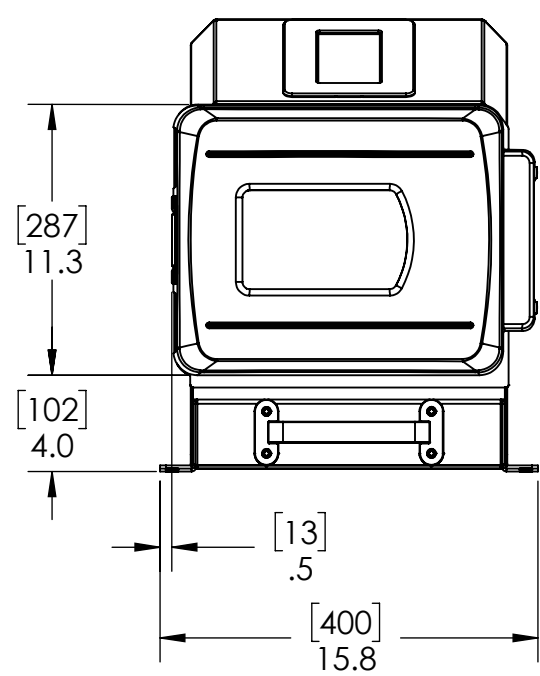
C

B

B

A

A



SPEED RANGE: 321- 11 RPM
 FLOW RANGE: 42.0 LPM - 0.01LPM
 1PH 115/230V 50/60HZ 6A.

REV	DESCRIPTION	EC NO.	DATE
1	CUSTOMER SUBMITTAL		12/28/20

THESE COMMODITIES, TECHNOLOGY OR SOFTWARE, IF EXPORTED FROM THE UNITED STATES, WILL BE DONE SO IN ACCORDANCE WITH EXPORT ADMINISTRATION REGULATIONS. DIVERSION CONTRARY TO U.S. LAW IS PROHIBITED.

THE INFORMATION CONTAINED IN THIS DRAWING IS THE SOLE PROPERTY OF COLE-PARMER. ANY REPRODUCTION IN PART OR WHOLE WITHOUT THE WRITTEN PERMISSION OF COLE-PARMER IS PROHIBITED.

DRAWN BY: BTK	UNLESS OTHERWISE SPECIFIED: DIMENSIONS ARE IN INCHES TOLERANCES	 Cole-Parmer Instrument Company 28W092 Commercial Avenue Barrington, Illinois 60010-2392 (847) 381-7050
DATE DRAWN: 12/28/20		
CHECKED BY: JRD	FRACTIONS..... ± 1/32" .XX..... 0.01" .XXX..... 0.005" .XXXX..... 0.0005" ANGULAR..... ± 1/2° MACHINED FINISH..... 125 RMS	
DATE CHECKED: 12/28/20	MATERIAL:	
APPROVED BY: JRD	CERTIFICATION OF CONFORMITY/ COMPLIANCE REQUIRED	<input type="checkbox"/> MATERIAL <input type="checkbox"/> FINISH <input type="checkbox"/> SOURCE CONTROLLED
SCALE: 1:8	PART NAME: OUTLINE DRAWING B/T CONNECTED	
DO NOT SCALE DRAWING	B SHEET 1 of 1	DRAWING NO: 77112-10

1

2

3

4

5

6