

**IKA**®

## Dry Mills



**German** technology  
made in the USA

# Dry Mills | From bench-top to pilot-scale!

**IKA® laboratory mills are ideal for coarse and fine particle size reduction, either in batch or continuous operation.**

Grinding results of up to 1 µm particle size or 0.25 mm defined ultimate fineness can be easily achieved. Due to a broad spectrum of easily interchangeable beaters/cutters, IKA® mills are highly effective for a variety of applications.

**COMING SOON:**

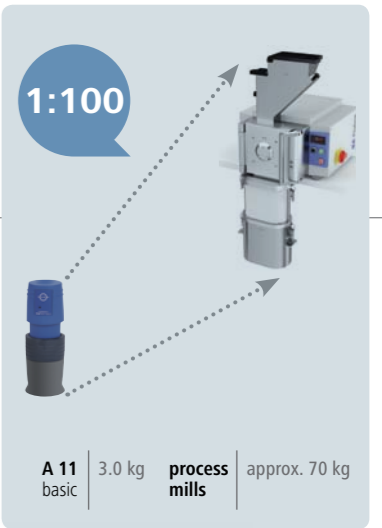
IKA® introduces the world's first disposable grinding tube system which eliminates the possibility of cross-contamination and saves on associated cleaning costs.

IKA® is also going to introduce a brand new A 10 basic mill with enhanced safety features. It is conceptually similar to the existing A 10 basic mill, but includes advanced features such as a digital timer, interval operation, error code display and many more improvements.

Anticipate our newly created pilot mill with modular design that allows for easy conversion from a cutting mill to an impact mill.



**IKA+**  
**Scale-up principle**  
 IKA® mills have a high degree of flexibility and scalability. Therefore, ensuring reliable scale-up by offering the possibility to work with the same method from formulation development to small-scale production.



**3 Year warranty\***

\* 2+1 years after registering at [www.ika.com/register](http://www.ika.com/register), glassware and wearing parts excluded

Protection class according to DIN EN 60529: Min. IP 21



**World's first**

## Tube Mill control | Fast, safe & clean

Patented



World's first



Quiet operation



Clearly arranged, multi-lingual OLED display, Error code display



Dust-proof sealed housing  
High level of user safety



Interval operation available  
Easy operation with touch keypad



Adjustable safety speed and time



USB interface to control and document all the parameters and for updating your firmware

### World's first

- > Disposable grinding chamber
- > Stops cross-contamination
- > No cleaning required
- > Perfect milling results
- > Large application range

World's first disposable grinding tube system for safe, instant and precise milling results. Its' unique and compact design makes the unit space saving and ultra-portable. The disposable grinding chamber eliminates the possibility of cross-contamination and saves on cleaning costs and time. The ability to cool the sample with dry ice expands the application range enormously.

## Disposable grinding chamber

After grinding, a part of the sample will be analyzed. The remaining sample can either be discarded or it can be stored as a reference sample directly in the grinding chamber. In the latter case, grinding chambers can be labeled and either stored in a refrigerator or in a drying room. Reference samples can be re-analyzed and traced at any time.



IKA+

### No cleaning costs



The grinding chamber can either be disposed of after the test or it can be used for storage of the processed sample. This new procedure will save on both time and money. As no cleaning of the tube system is required, the user is safe from aerosol formation that frequently occurs during cleaning procedures.



## A 10 basic | Analytical batch mill



Electronic overload protection



Built-in cooling chamber



Ident. No.  
1059300

### A 14 Spare cutter

Suitable for crushing materials up to Mohs hardness 5. Included with A 10.

Price  
on request



Ident. No.  
1059100

### A 15 Hard metal cutter

Made of tungsten carbide for hard materials up to Mohs hardness 9. Not included with A 10.

Price  
on request



Ident. No.  
1462700

### A 17 Star-shaped cutter

Used to crush fibrous substances such as paper and vegetation, but also for plastics and material with a low specific weight. Not included with A 10.

Price  
on request



Ident. No.  
2318200

### A 18 Grinding chamber reduction

Included with A 10.

Price  
on request

A 10 basic is used for low-loss grinding of soft, hard and brittle substances of up to 50 ml with a Mohs hardness of up to 9

## A 10 basic | Advanced technology



Overload protection



Integrated cooling connections



Quiet operation



Digital timer



Newly designed batch mill for dry grinding of hard, brittle, soft and fibrous materials for volumes up to 50 ml. Due to the embrittlement of samples directly in the grinding chamber, tough, oily and aqueous samples can also be ground.

During development of the mill, particular emphasis was placed on safety. The mill will only start when the lid is closed and it can only be opened at a standstill. A quick stop feature further increases the safety of the user.

### Special safety features

- > The mill can only be operated if the lid is closed
- > The lid can only be opened at a standstill
- > A quick stop feature further increases the safety of the user



Interval operation available  
Easy handling with keypads



Brushless motor for longer  
life span



Easily exchangeable beater/  
cutter



## A 11 basic | Analytical batch mill

A 11 basic is the best choice for impact and cutting grinding of hard, brittle and non-elastic substances by means of interchangeable cutting and grinding tools. Various grinding chamber sizes enable the crushing of small volumes all the way up to 250 ml with a Mohs hardness of up to 9.



**A 11.1 Spare beater**  
For pulverizing substances with a Mohs hardness up to 6. Included with the analytical mill A 11 basic.

Ident. No.  
2904600

Price  
\$ 54



**A 11.2 Cutting blade**  
For pulverizing soft, fibrous grinding materials.

Ident. No.  
2905200

Price  
\$ 131



**A 11.3 Beater**  
For pulverizing substances with a Mohs hardness up to 9, coated with chromium carbide.

Ident. No.  
2983000

Price  
\$ 193



**A 11.4 Grinding chamber**  
Made of polycarbonate with stainless steel inlet. Not suitable for cooling with N<sub>2</sub>, only applicable with double beater A 11.6.

Ident. No.  
2904100

Price  
\$ 187



**A 11.5 Spare grinding chamber**  
Made of Tefcel (ETFE, glass fibre-reinforced) with stainless steel inlet.

Ident. No.  
2983100

Price  
\$ 252



**A 11.6 Double beater**  
For use up to Mohs hardness 3. Only applicable with grinding chamber A 11.4.

Ident. No.  
3302900

Price  
\$ 381



**A 11.7 Funnel**  
Prevents splashing of liquid nitrogen when pouring into the grinding chamber A 11.5.

Ident. No.  
3048700

Price  
\$ 311



## M 20 | Universal batch mill



**M 21 Spare cutter**  
Suitable for crushing materials up to Mohs hardness 5. Included with M 20.

Ident. No.  
0328200

Price  
\$ 95



**M 22 Hard metal cutter**  
Made of tungsten carbide for hard materials up to Mohs hardness 9.

Ident. No.  
0521800

Price  
\$ 466



**M 23 Star-shaped cutter**  
Used to crush fibrous substances such as paper and vegetation, but also for plastics and material with a low specific weight.

Ident. No.  
1443400

Price  
\$ 372



**M 20.1 Grinding chamber**  
A second grinding chamber ensures effective processing. The grinding chambers can be placed on the drive alternately.

Ident. No.  
8006200

Price  
\$ 3,071



Removable, easy-to-clean, high-grade steel chamber



Double-walled grinding chamber



M 20 is suitable for low-loss, dry grinding of hard and brittle substances of up to 250 ml with a Mohs hardness of up to 9

# MF 10 basic | Microfine grinder



2



1



Powerful drive

Powerful



Easily interchangeable heads



Easy to clean working surface made of stainless steel



2+1 years after registering at [www.ika.com/register](http://www.ika.com/register)

Year warranty\*

Continuously operating universal microfine grinder for impact and cutting grinding. Two different grinding heads can be attached to the drive and are easily interchangeable.

# MF 10 basic | Accessories

1

## MF 10.1 Cutting-grinding head

For crushing fibrous substances such as paper and vegetation, but also for plastics and material with a low volume weight. Before being discharged, the ground material passes through a sieve. This sieve is interchangeable and available in different hole sizes (not incl. with delivery). The ground material can then be collected using an NS 29 standard ground vessel.

Ident. No.  
2870900

Price  
\$ 2,082



2

## MF 10.2 Impact grinding head

For crushing brittle, hard materials such as minerals, building materials up to Mohs hardness 6. Before being discharged, the ground material passes through a sieve. This sieve is interchangeable and available in different hole sizes (not incl. with delivery). The ground material can then be collected using an NS 29 standard ground vessel.

Ident. No.  
2871000

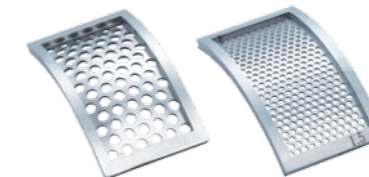
Price  
\$ 1,774



## MF Sieve

Interchangeable sieves for insertion into the grinding heads ensure maximum particle size filtering.

Ident. No.		Price
2938900	MF 0.25	\$ 342
2939000	MF 0.5	\$ 342
2939200	MF 1.0	\$ 342
2939400	MF 2.0	\$ 342
2939500	MF 3.0	\$ 342
2939600	MF 4.0	\$ 579





**IKA+**

To get customized and additional accessories, please visit [www.ika.com/service](http://www.ika.com/service)






# Pilotina | Powerful and safe milling!

-  Adjustable milling gap
-  Hygienic design for easy cleaning
-  Safe design of inlet and outlet

-  Powerful drive
-  Three-phase AC motor for long life and high power



-  Digital speed display
-  Easy conversion from a cutting mill to an impact mill
-  Easily interchangeable milling tools

**IKA<sup>®</sup>+**  
**Special safety features**

- > The mill will only start with the door closed
- > It cannot be opened until the rotor reaches a standstill
- > Safe design of inlet and outlet ensure that milling tools will not come into contact with the operator

Pilotina is a newly created pilot mill for grinding soft, elastic as well as hard and brittle materials. The modular design enables easy conversion from a cutting mill to an impact mill. The powerful drive provides ample power, even for ambitious applications. Due to easily interchangeable milling tools, the Pilotina is highly effective for a variety of applications.

# Pilotina | Accessories



**Pilotina MC – Cutting Mill**  
 For crushing fibrous substances such as paper and vegetation, but also for plastics and material with a low volume weight. Before being discharged, the ground material passes through a sieve.

Ident. No.	Price
U106466	on request



**Pilotina MI – Impact Mill**  
 For crushing brittle, hard materials such as minerals, building materials up to Mohs hardness 6. Before being discharged, the ground material passes through a sieve.

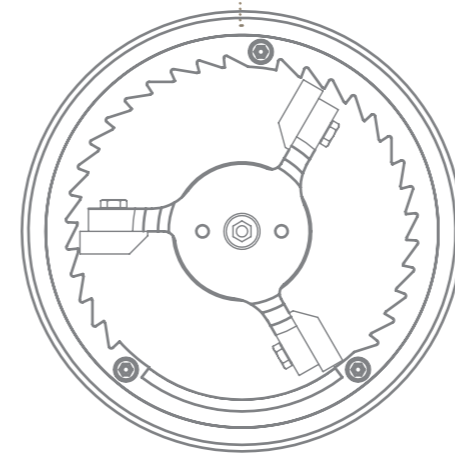
Ident. No.	Price
U106465	on request



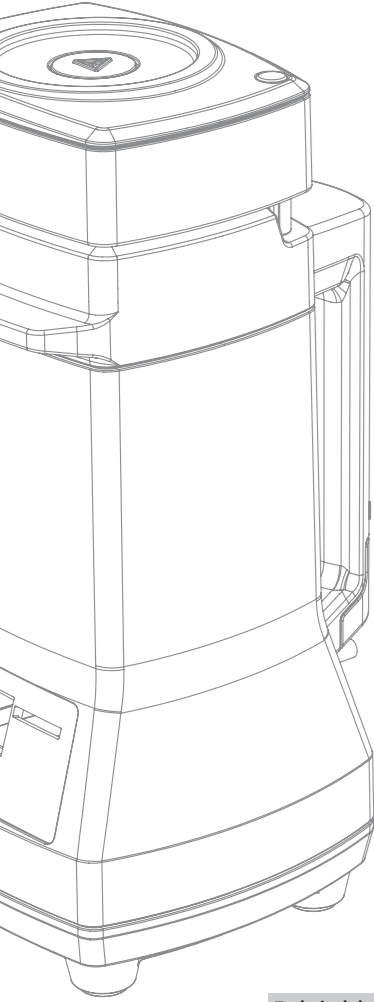
## Sieves

Interchangeable sieves for insertion into the grinding heads ensure maximum particle size filtering. All sieves are made of stainless steel 1.4301.

Ident. No.	Particle Size	Price
U106468	0.12 mm	on request
U106469	0.25 mm	on request
U106470	0.5 mm	on request
U106471	0.75 mm	on request
U106590	1 mm	on request
U106472	2 mm	on request
U106473	3 mm	on request
U106474	4 mm	on request
U106475	8 mm	on request
U106476	10 mm	on request
U106477	20 mm	on request



# Dry Mills | Technical data



Technical data	
Motor rating input/output	
Speed range	
Speed display	
Useful volume	
Duty cycle (ON / OFF)	
Overload protection	
Circumferential speed	
Max. feed hardness	
Max. feed grain size	
Grinding chamber material	
Dimensions (W x D x H)	
Weight	
Permissible ambient temperature	
Permissible relative moisture	
Protection class acc. to DIN EN 60529	

**Price**



**Tube Mill control**

175 / 123 W
5000 – 25,000 rpm
digital
40 ml
5 s – 3 min (timer)
yes
65 m/s
5 Mohs
10 mm
Transparent plastic (PP)
180 x 300 x 170 mm
2.7 kg
5 – 40 °C
80%
IP 30

**\$ 1,639**

Ident. No. 4180001

**MT 40 Disposable grinding chamber**

Price: \$ 74 (10 pieces/pack)

Ident. No. 4425000



**A 10 basic**

500 / 400 W
22,000 rpm (fixed)
no
50 ml
10 min
yes
63 m/s
9 Mohs
6 mm
stainless steel (AISI 14301)
130 x 145 x 250 mm
3.0 kg
5 – 40 °C
80%
IP 21

**on request**

Ident. No. 4020701



**A 10 basic**

180 / 80 W
20,000 rpm (fixed)
no
50 ml
5 / 10 min
yes
57 m/s
9 Mohs
6 mm
stainless steel (AISI 14301)
120 x 105 x 225 mm
2.2 kg
5 – 40 °C
80%
IP 21

**on request**

Ident. No. 1603501



**A 11 basic Analytical mill**

160 / 100 W
28,000 rpm (fixed)
no
80 ml (optional 250 ml)
1 / 10 min
yes
53 m/s
9 Mohs
10 mm
stainless steel (AISI 316L)
85 x 85 x 240 mm
1.5 kg
5 – 40 °C
80%
IP 43

**\$ 1,445**

Ident. No. 2900001



**M 20 Universal mill**

620 / 260 W
20,000 rpm (fixed)
no
250 ml
7 / 10 min
yes
72 m/s
9 Mohs
7 mm
stainless steel (AISI 316L)
170 x 170 x 350 mm
6.6 kg
5 – 40 °C
80%
IP 21

**\$ 4,176**

Ident. No. 1603603



**MF 10 basic Microfine grinder drive  
MF 10.1 Cutting-grinding head | MF 10.2 Impact-grinding head**

1000 / 500 W
3000 – 6500 rpm
no
max. 5 kg/h
120 / 30 min
yes
22.5 m/s   31.4 m/s
3 Mohs   6 Mohs
15 mm   10 mm
stainless steel (AISI 304)
320 x 300 x 560 mm   320 x 300 x 450 mm
11.9 kg (incl. MF 10 basic)
5 – 40 °C
80%
IP 22

**\$ 2,909 | MF 10.1: \$ 2,082 | MF 10.2: \$ 1,774**

Ident. No. 2836001 | MF 10.1: 2870900 | MF 10.2: 2871000



**Pilotina  
Pilotina MC | Pilotina MI**

3000 W
1500 – 4500 rpm
digital
approx. 80 kg/h
non-stop operation
yes
9 m/s   34 m/s
3 Mohs   6 Mohs
65 x 60 mm   20 mm
Aluminum (AISI10Mg)
approx. 480 x 570 x 800 mm
approx. 70 kg
5 – 35 °C
80%
IP 55

**on request**

Ident. No. U106466 | U106465



	Batch Mills				Inline Mills			
	Tube Mill control	A 10 basic	A 11 basic	M 20	MF 10 basic + MF 10.1	MF 10 basic + MF 10.2	Pilotina MC	Pilotina MI
<b>Max. granularity of task</b>	10 mm	6 mm	10 mm	7 mm	15 mm	10 mm	65 x 60 mm	20 mm
<b>Ultimate fineness*</b>	1 – 100 µm	1 – 100 µm	1 – 100 µm	1 – 80 µm	< 0.25 mm	< 0.25 mm	> 0.2 mm	> 0.1 mm

Field	Sample	Tube Mill control	A 10 basic	A 11 basic	M 20	MF 10 basic + MF 10.1	MF 10 basic + MF 10.2	Pilotina MC	Pilotina MI
Agriculture	Grains, seeds	✓	✓	✓	✓	✓	-	✓	-
Biology	Leaves, roots, stems	✓	-	-	-	-	-	-	-
Botany	Blossoms, flowers	✓	-	-	-	-	-	-	-
Brewery	Hop, malt pellets	✓	✓	✓	✓	✓	-	✓	-
Building Material Industry	Building materials	-	✓	✓	✓	-	✓	-	✓
Ceramic Industry	Ceramic	-	✓	✓	✓	-	✓	-	✓
Chemical Industry	Salt, molecular sieves	✓	✓	✓	✓	✓	✓	✓	✓
Cosmetics	Bees wax, collagen	-	-	-	-	✓	-	✓	-
Detergent Industry	Detergents, Mega pearls	✓	✓	✓	✓	✓	✓	✓	✓
Energy Industry	Coal, coke	✓	✓	✓	✓	✓	✓	✓	✓
Feed Industry	Animal feed	✓	✓	✓	✓	✓	✓	✓	✓
Food Industry	Rice, spices, bread, meet	✓	-	✓	-	-	-	-	-
Medical industry	Tablets, pills	✓	-	✓	-	-	✓	-	✓
Metallurgy	Ore, drill core	-	-	-	-	-	✓	-	✓
Paint and Varnish Industry	Color pigments, resin	✓	✓	✓	✓	✓	-	✓	✓
Paper Industry	Paper, filter, cellulose	-	-	✓	-	✓	-	✓	-
Pharmacy	Vitamin tablets, tea leaves	✓	✓	✓	✓	✓	-	✓	-
Plastic Industry	Plastic, rubber	-	-	-	-	✓	-	✓	-
Tobacco Industry	Tobacco, cigarettes	✓	✓	✓	✓	✓	-	✓	-

✓ suitable    - unsuitable    · limited (Embrittlement of the sample)    \* depends on the sample



### > Biology

- Roots
- Stems
- Leaves
- Tobacco
- Fresh ginger
- Seeds



### > Pharmacy

- Pastilles
- Tea leaves
- Glauber salt
- Hawkbit roots
- Calamus roots
- Vitamin tablets



### > Building Material Industry

- Pebble stone
- Granite
- Ceramic
- Concrete
- Limestone
- Silicon carbide
- Medium density fiberboard (MDF)



### > Plastic Industry

- Acrylate
- Elastomer
- Plastic PA
- Plastic PS
- Plastic mixture
- Rubber



### > Chemical Industry

- Salt
- Calcium carbonate
- Active carbon
- Raney nickel alloy
- Silver chloride

### > Paint and varnish Industry

- Titanium dioxide
- Printing ink
- Powder lacquer
- Ferric oxide pigment
- Watercolors
- Color pigments



### > Medical Industry

- Enzyme powder
- Piroxicam capsules
- Tablets
- Placebo granules
- Uzera dragees
- Ibuprofen



### > Energy Industry

- Coal
- Coke
- Oil shale
- Anthracite
- Hack-shipping
- Wood pellets



### > Cosmetics

- Collagen
- Bees wax
- Color pigments
- Paraffin wax
- Wax sequins



IKA® mills can be used for the grinding of soft, hard, brittle, fibrous and elastic materials. The grinding of solid samples is essential to ensure precise analysis. It is important that the grinding leads to the homogeneity and desired fineness of the sample. The type of mill to be used depends on the properties of the substance and the quantity of the sample. For example, brittle materials are ground with a beater, fibrous materials with a blade, and hard/brittle materials are ground with a special hard metal cutter.

Small sample quantities are generally ground with a batch mill. Here, a particle size spectrum of the ground material can be expected. Larger quantities can be ground with an inline mill. Here, the sample passes through a sieve, which leads to the ground material achieving a defined particle size.

Problems can arise when soft and tough materials such as rubber or plastics have to be ground. The problem can be solved through the embrittlement of the sample with dry ice or liquid nitrogen. The sample can then be ground without difficulty.

Below are the examples

**Soft:** Meat, pastilles, cheese, tissue...

**Hard:** Coal, coke, maize, salt...

**Brittle:** Stones, glass, ceramic, concrete...

**Fibrous:** Leaves, paper, wheat, grass

**Elastic:** Rubber, plastic, elastomer, gummy bears...

Choose beaters/cutters from the selection guide below to suit your application needs

Beaters/Cutters selection guide						
IKA® device	Beaters / Cutters	Soft	Hard	Brittle	Fibrous	Elastic
A 11 basic	A 11.1 Spare beater	-	-	✓	-	-
	A 11.2 Cutting blade	-	-	-	✓	-
	A 11.3 Beater	-	✓	✓	-	-
A 10 basic	A 11.6 Double beater	-	-	✓	-	-
	A 14 Spare cutter	-	-	✓	-	-
	A 15 Hard metal cutter	-	✓	✓	-	-
M 20 Universal mill	A 17 Star-shaped cutter	-	-	-	✓	-
	M 21 Spare cutter	-	-	✓	-	-
	M 22 Hard metal cutter	-	✓	✓	-	-
MF 10 basic	M 23 Star-shaped cutter	-	-	-	✓	-
	MF 10.1 Cutting-grinding head	✓	-	-	✓	✓
	MF 10.2 Impact grinding head	-	✓	✓	-	-
Pilotina	Pilotina MC – Cutting Mill	✓	-	-	✓	✓
	Pilotina MI – Impact Mill	-	✓	✓	-	-

✓ suitable    - unsuitable    · limited



### > Food

- Rice
- Meat
- Maize
- Spices
- Wheat
- Coffee beans



### > Paper Industry

- Paper
- Filter
- Fibres
- Cellulose
- Packing material



## Sample Preparation!

Send us your sample and we will process and analyze it for you within 48 hours!

Send your sample with a data sheet to:  
IKA-Werke GmbH & Co. KG,  
Janke & Kunkel-Str. 10,  
79219 Staufen, Germany.

Data sheet download: [www.ika.com](http://www.ika.com)



**labworldsoft®**

IKA® laboratory software labworldsoft® is an advanced software for all your laboratory needs. With the help of this software, you can network up to 64 laboratory devices via one PC. All test parameters can be documented ensuring complete automation of your laboratory experiments. Measurements and processes may be run independently. Long waits and processing times are reduced, which increases productivity.



**Comprehensive Worldwide Service!**

Our dedicated team of engineers provides comprehensive worldwide technical service. Please feel free to contact your dealers or IKA® directly in case of any service queries. Hotline: In the event of an equipment malfunction or technical questions regarding devices and spare parts: call +1 800 733-3037



**IKA® Application Support**

Our Application Center spans 400 sqm and offers modern facilities for presenting and testing lab devices and processes. This brings us even closer to our customers and improves our service. Here, prospective buyers and customers can test out processes that involve stirring, shaking, dispersing, grinding, heating, analyzing and distilling. In addition, it also further extends the opportunity to test your own devices and to develop new models.



**What is the difference between a batch and an inline mill?**

Batch: working with a default volume  
 Inline: continuous sample feeding.

**Is it possible to grind liquid nitrogen frozen samples?**

It is possible to pre-cool the samples in liquid nitrogen, but in the mill chamber there should not be any liquid nitrogen. With the A 11, the sample can be pre-cooled directly in the ETFE grinding chamber. In A 10 and M 20 mills, the grinding chamber can be rinsed with liquid nitrogen for pre-cooling.

**How is it possible to get chromium contamination when working with the A 10, A 11 or M 20?**

Knives and mill chamber are made of Cr-Ni stainless steel. There may always be fine or superfine abrasion in the milling process.

**How long do I have to grind my sample in an IKA® mill to get the best results?**

Depending on the sample, 20 seconds could be enough. In general, after 60 seconds there is no particle reduction taking place; only the application of energy and the sample getting increasingly warmer.

**How to cool my sample most effectively for milling?**

Pre-cooling with iced carbon (or liquid nitrogen) is reasonable for samples containing oil or for elastic samples. With iced carbon, it is even possible to pre-cool directly in the milling chamber. But all iced carbon should be evaporated completely before the milling process.

**I would like to crush very hard materials. IKA® mills are suitable for up to what Mohs hardness?**

In general, all of our mills can manage a Mohs hardness of about 5 – 6. But for the A 10, A 11 and M 20 there is a hard metal beater available that is suitable for samples up to a Mohs hardness of 9.

**Is it possible to sterilize IKA® mills?**

The grinding chamber of the A 11 and the knives of the A 10, A 11, M 20 as well as the grinding head of the MF 10 can be autoclaved. The drives of all mills can only be treated with an Isopropanol wet cloth while the shaft feed can only be cleaned and sterilized with a solvent wet cloth.

**Can the M 20 or the A 10 be cooled via the hoses with ethanol or liquid nitrogen?**

No, the cooling hoses are only suitable for cooling with water.



Please visit  
[www.ika.com](http://www.ika.com)



**Application Support!**

For questions regarding applications and processes, you can call our hotline number:  
**+1 800 733-3037\***  
 E-Mail: [sales@ika.net](mailto:sales@ika.net)

\* Monday – Friday from 8:00 am - 5:00 pm

Prices valid until 31st of December 2014  
All prices exclusive to VAT  
Subject to alteration of prices  
Subject to technical changes

**IKA®+**

**Remain up-to-date!**

Get absolutely free software updates and technical support by getting yourself a one year service contract.

[www.ika.com](http://www.ika.com)

201407\_Dry\_Mills\_brochure\_EN\_USD

**IKA®-Works, Inc.**  
2635 Northchase Pkwy SE  
Wilmington, NC 28405-7419  
USA

Tel. +1 800-733-3037  
Tel. +1 910 452-7059  
Fax +1 910 452-7693

[sales@ika.net](mailto:sales@ika.net)  
[www.ika.com](http://www.ika.com)



**designed**  
to work perfectly



[www.facebook.com/IKAworldwide](https://www.facebook.com/IKAworldwide)

